

DOT 3

SPECIFICATION SHEET
WARM DIM

AESTHETIC MICROCYLINDER SMALL BEYOND COMPARE

Housing

Diameter : Ø3.5" | Height : 8.5" | Weight : 2.9 lbs

Material

Housing : Extruded Aluminum

Lens : TIR Polycarbonate Lens

Power Input

15W, 25W | 120-277V

Lumen Output

1,020 lm (15W), 1,760 lm (25W)

Dimming

Superior 0-10V : dims to 1%, dims to dark

Color Quality

CRI 93 | UGR ≤ 19

Finish



Black



White

Color Temperature



ColorFlip™ Warm Dim
1800K ↔ 3000K

Optics



45°



60°

Mounting



Stem
Mount



Cord
Mount



Surface
Mount

Warranty

5 Year limited warranty

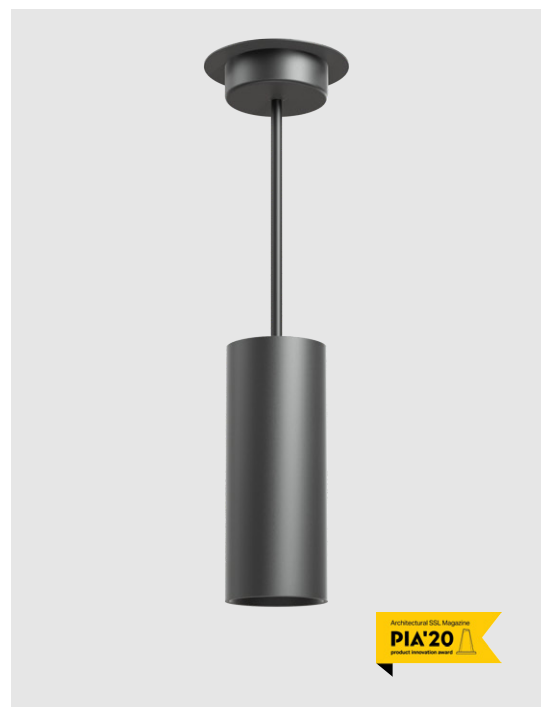
Listing



One Microcylinder Family To Rule Them All

The Dot 3 micro cylinders come with a delivered lumen package of up to 1,760 lm. Available in black and white finishes, a variety of mounting options, and accessories.

Two years on from the introduction of the Dot series, we have now expanded the line to include even smaller apertures and greater optical, and design accessories. Offering optimal balance between diminutive design and high performance.



METEOR

meteor-lighting.com

SPECIFICATION SHEET / WARM DIM

DOT 3 AESTHETIC MICROCYLINDER
SMALL BEYOND COMPARE



SPECIFICATION

PROJECT NAME

DATE

CATALOG #

QUANTITY

The product configurator function on this page works only with the latest version of Chrome or Adobe Acrobat Reader.

DT3	MODEL	DOT 3		
	WATTAGE	15 15W	25 25W	
WDIM	CCT / CRI	WDIM 1800K - 3000K		
UNV	VOLTAGE	UNV 120 – 277V		
SPV	DIMMING	SPV Superior 0-10V: dims to 1%, dims to dark		
	BEAM ANGLE	45 45°	60 60°	
	FINISH	BLK Black	WHT White	
	MOUNTING	ST2 Stem Mount 2ft SUM Surface Mount	ST4 Stem Mount 4ft	CM10 Cord Mount 10ft
	ACCESSORIES	HC^{1,3} Hex Cell Louver	SL^{2,3} Solite Lens	FCS⁴ Field Cut Stem Adapter Kit

CLEAR FORM

¹ HC option reduces delivered lumens by ~30%
² SL option reduces delivered lumens by ~12%
³ Only one option within this group can be specified
⁴ FCS is not compatible with SUM, CM10

TECHNICAL DETAILS

Electrical

- 1,020 lm (15W), 1,760 lm (25W)
- Power Input : Universal (120/277V)
- Operating Temperature : 14°F~95°F
- Surge Protection : Built-in is 2.5KV
- Integral Driver on all product configurations

LED Features

- ColorFlip™ Warm Dim 1800K ↔ 3000K
- CRI 93
- UGR ≤ 19

Optics

- TIR Polycarbonate Lens
- Beam Angle : 45°, 60°

Advanced Dimming

- Proprietary VX Driver™ is integrated across all dimming options, delivering video flicker-free performance and full compliance with IEEE 1789.
- Superior 0-10V : dims to 1%, dims to dark

Housing

- Diameter : Ø3.5"
- Height : 8.5"
- Material : Extruded Aluminum
- Weight : 2.9 lbs

Mounting

- Stem Mount 2ft or 4ft
- Cord Mount 10ft
- Surface Mount

Warranty

- 5-year limited warranty

Listing

- ETL Damp Location Listed
- CE
- FCC
- JA8 Title 24 Compliant

PERFORMANCE SUMMARY*

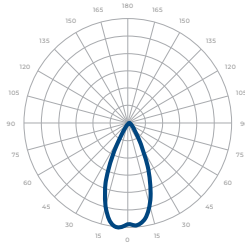
Warm Dim	1800K ← → 3000K					
0-10V CCT Voltage	0.7	2	4	6	8	10
15W	50lm	180lm	355lm	560lm	765lm	1,020lm
25W	100lm	255lm	775lm	980lm	1,345lm	1,760lm

*Tolerance ±8%

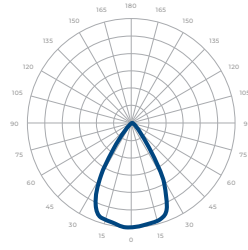
Current Consumption		
WATTAGE / VOLT	120V	277V
15W	0.14A	0.06A
25W	0.24A	0.11A

PHOTOMETRICS

Below is a typical photometric representation of the Dot 3 fixture. Please download IES files to ensure exact photometric value.



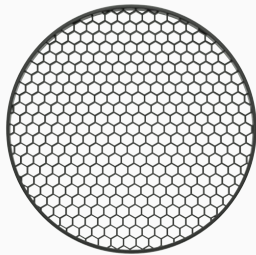
45°



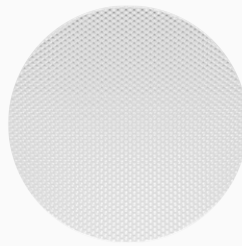
60°

ACCESSORIES

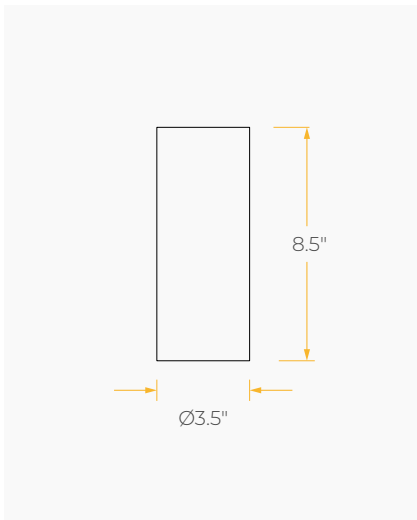
Hex Cell Louver



Solite Lens



DIMENSIONS



MOUNTING OPTIONS*

**Junction Box not included*

